

DYNA BODY CENTERING DEVICE

UCSM-4134
DISC CENTERING
SIN\$140
US\$88

UCSM-2608
BASE (1)
SIN\$450
US\$281

UCSM-4108 (PART 2)
BASE (3)
SIN\$220
US\$138

UCSM-4108 (PART 1)
BEARING FITTING STAY
SIN\$320
US\$200

UCSM-4109 (PART 1)
BEARING
SIN\$100, EACH
US\$63, EACH

UCSM-4116
SHAFT
SIN\$100, EACH
US\$63, EACH

UCSM-4108 (PART 3)
BASE (2)
SIN\$120
US\$75

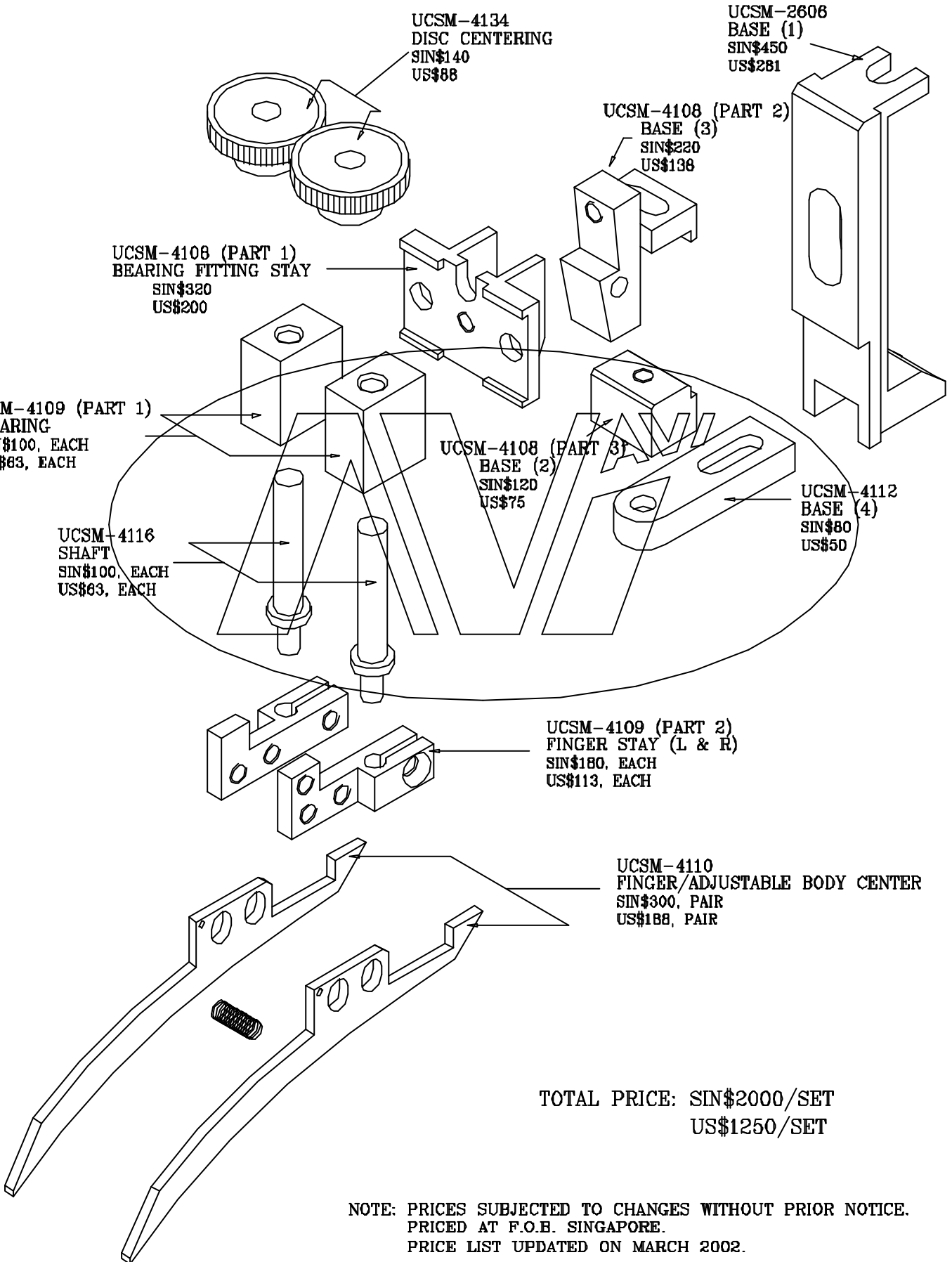
UCSM-4112
BASE (4)
SIN\$80
US\$50

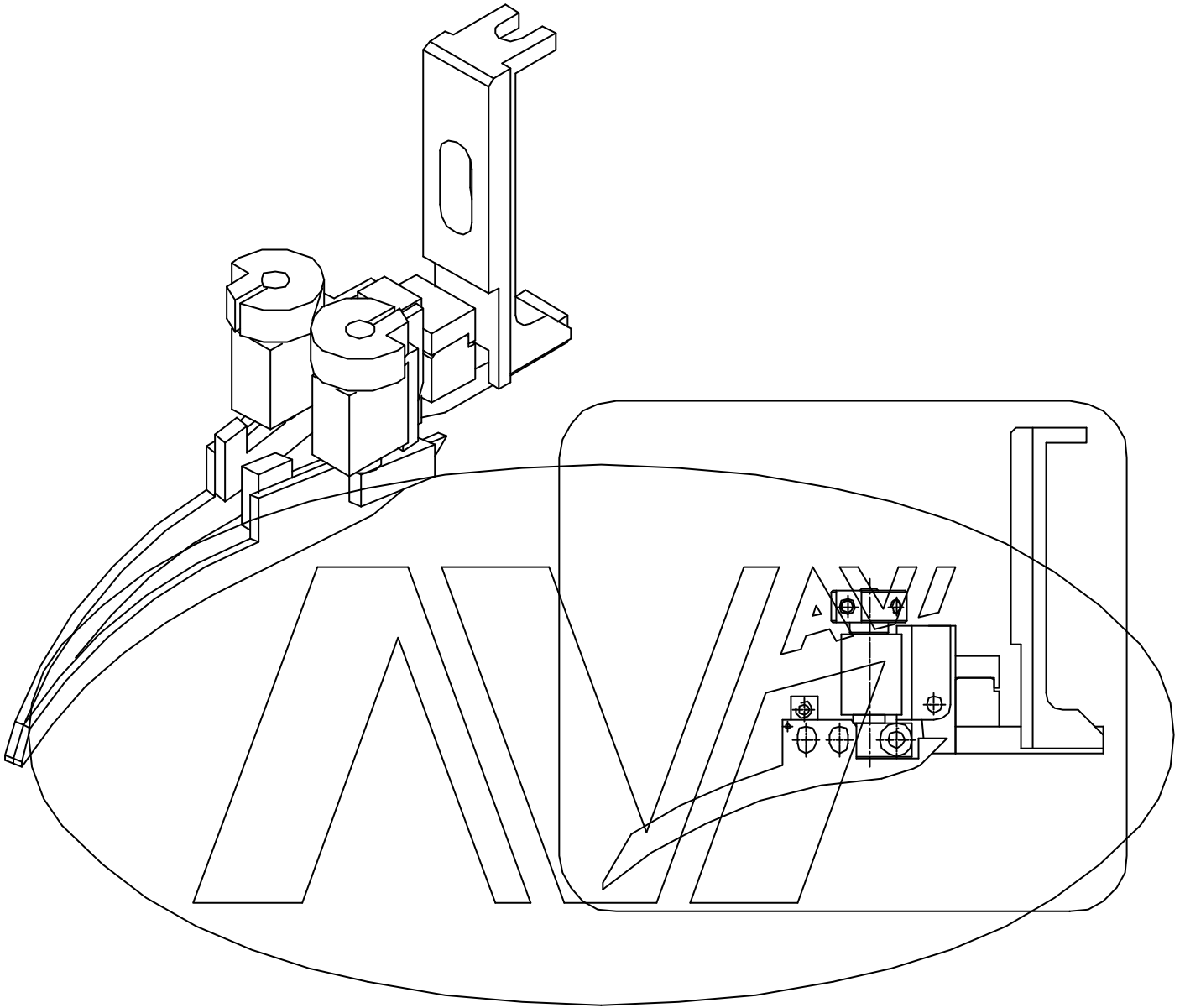
UCSM-4109 (PART 2)
FINGER STAY (L & R)
SIN\$180, EACH
US\$113, EACH

UCSM-4110
FINGER/ADJUSTABLE BODY CENTER
SIN\$300, PAIR
US\$188, PAIR

TOTAL PRICE: SIN\$2000/SET
US\$1250/SET

NOTE: PRICES SUBJECTED TO CHANGES WITHOUT PRIOR NOTICE.
PRICED AT F.O.B. SINGAPORE.
PRICE LIST UPDATED ON MARCH 2002.





BODY CENTERING DEVICE
(DYNA SEQUENCER)